



RESIDENTIAL ROLLING DOORS

Roll-A-Door®

Neo®



Feature colour
JAPAN CHERRY

Squareline™ Deluxe Single



Feature colour
DOVER WHITE*
*A surcharge applies
to this colour

Squareline™ Deluxe Double



Feature colour
CLASSIC CREAM™

Traditional Low Profile



Feature colour
SURFMIST

Traditional Wideline™



Rollmasta®

Series 1



Feature colour
DOVER WHITE

Series 3



Feature colour
SHALE GREY

home
safe
home®




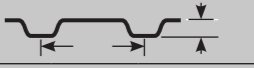


Rolling Door Details

*



Is available when the customer registers the purchase of a Genuine B&D Door and Automatic Opener online, they are covered by the B&D 10Year Confidence Warranty on both the door and automatic opener.

Description	Model Name Type	Roll-A-Door®								Rollmasta®					
		Neo		Squareline Deluxe				Low Profile		Traditional		Single		Double	
		Series 1		Series 1		Series 3		Series 2		Series 2		Series 1		Series 3	
Model code	R1N		R1D		R3W		R2L		R2W		R1P		R3F		
Door & Max Drive Through Heights (mm) (non-Wind-Lock Doors)	Door Height	Max Drive Height	Door Height	Max Drive Height	Door Height	Max Drive Height	Door Height	Max Drive Height	Door Height	Max Drive Height	Door Height	Max Drive Height	Door Height	Max Drive Height	
				1250	1250	1800	1700			1400	1350	1250	1250	1800	1700
	2100	2100	2100	2100	2100	2005			2100	2000	2100	2100	2100	2005	
	2400	2400	2400	2400	2400	2305	2400	2300	2400	2300	2400	2400	2400	2305	
	2700	2700	2700	2700	2700	2605	3000 (WA)	2990			2700	2700	2700	2605	
3000	3000	3000	3000	3000	2905	3300 (WA)	3290	3000	2985	3000	3000	3000	2905		
Max Door Width (including overlap)	3150mm		3150mm		5500mm		5500mm		5500mm		3150mm		5100mm		
Profile (W) x (D)	 180mm x 16mm		 83mm x 16mm				 76mm x 20mm		 83mm x 16mm						
CURTAIN															
Coil thickness	0.4mm		0.4mm		0.5mm		0.4mm		0.5mm		0.4mm		0.4mm		
Curtain separator, mini top sheet limit curtain rub	•		•												
Minimum curtain overlap each side	40mm		30mm		50mm		50mm		50mm		30mm		50mm		
Steel door stops	+ buffer for safety & quietness		+ buffer for safety & quietness		•		•		•		•		•		
Drum Type	S1 Castellated pressed steel		S1 Castellated pressed steel		S3 pressed steel		S3 pressed steel		S2 pressed steel		S3 Pressed steel		S3 pressed steel		
Nylofelt® for smooth, quiet, greaseless operation.	•		•		•		•		•		•		•		
GUIDES															
Guide options	galvanised metal		Non W/L galvanised metal	W/L HD aluminium	Non W/L galvanised metal	W/L HD aluminium	Non W/L galvanised metal	W/L HD aluminium	Non W/L galvanised metal	W/L HD aluminium	Non W/L galvanised metal	W/L HD aluminium	Non W/L galvanised metal	W/L HD aluminium	
Door guide block with double roller	•		•		•		•		•		•		•		
Door guide block with single roller											•		•		
LOCKS & HANDLES															
Waist height centre lift lock with double bar locking			optional		•		•		•		optional		•		
Centre lift lock with internal turn knob			optional		•		•		•						
Sleek "D" shaped handle (available up to 2400mm H)			optional		•		•		•						
MANUFACTURING															
Factory	VIC	•		•		•		•		•		•		•	
	NSW			•		•		•		•		•		•	
	QLD	•		•		•		•		•		•		•	
	WA			•				•		•		•		•	
SEALS & SPRINGS															
Thick Weatherseal, restricts water & leaves entry.	•		•		•		•		•		•		•		
Spring cycle rating (higher, the longer service life)	30,000 cycles		30,000 cycles		30,000 cycles		30,000 cycles		30,000 cycles		15,000 cycles		15,000 cycles		
Optional Extras															
Rolling Door Opener	PowerDrive (standard)		PowerDrive, Roll-A-Pro		PowerDrive, GDO-12 Hiro		PowerDrive, GDO-12 Hiro		PowerDrive, GDO-12 Hiro		PowerDrive, Roll-A-Pro		PowerDrive, GDO-12 Hiro		
Smart Phone Control	•		• PowerDrive only		•		•		•		• PowerDrive only		•		
Fixed or independent tapers	•		•		•		•		•		•		•		
Internal waist high shoot bolt locking			•		•		•		•		•		•		
Alternative lock positions for servery door			•		•		•		•		•		•		
Slots for ventilation			•		•		•		•		•		•		
Mullions			•								•				
High Wind Region (Refer to Certification Drawings for applicable door size)	N/A		A	B	C	D	A	B	C	D	A	B	C	D	
			•	•	•		•	•	•	N/A	•	•	•	•	
			•	•	•		•	•	•		•	•	•	N/A	

installation requirements

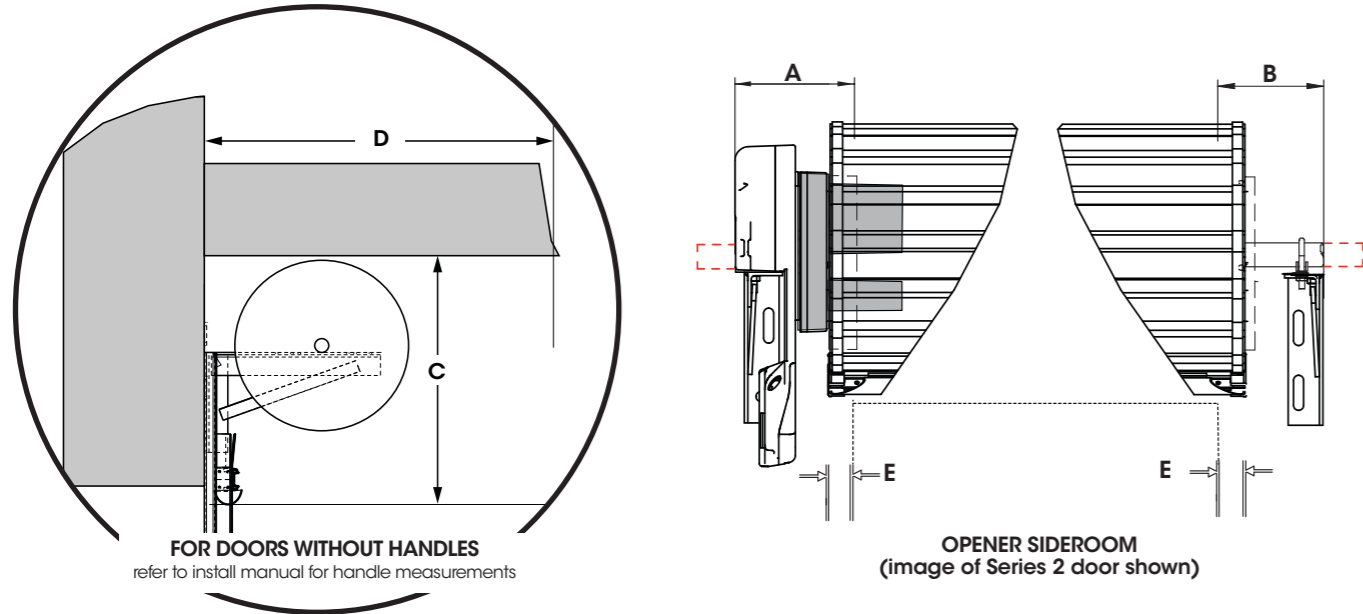


Fig: 1.4.3

dimension table								
Door Model Code	Door height (mm)	Door width (mm)	Minimum Sideroom Opener Side	Minimum Sideroom Plain Side	Recommended Headroom #	Recommended Backroom for installation	Min' Curtain Overlap****	
			Based on Minimum Curtain Overlap stated as dimension E					
			A1* / A10**	B		C		D
R1N Series 1	up to 2400	up to 3150	125 / NA	95	450	500	40	
	2401 - 3000			110				470
R1D Series 1	up to 2400		115 / NA	85	430	480	30	
2401-3000	450				500			
R1P Series 1	up to 2400		140 / NA	130	430	480	55	
2401-3000	450				500			
Windlocked Series 1	up to 2400		up to 5100	170 / 275	135	430	480	50
2401-3000	450					500		
R3F Series 3	up to 2400		up to 5500	200 / 305	185	535	525	55 - 68 (see note)
R3W Series 3	up to 2400					565	555	
	2401-3000	535				525		
2401-3000	565	555						
Windlocked Series 3	up to 2400	up to 5500	200 / 305	185	535	525	55 - 68 (see note)	
	2401-3000				565	555		
R2L Series 2	up to 2400	up to 5500	170 / 275	135	515	535	50	
*2401-3300	*540				*585			
R2W Series 2	up to 2400		590	580				
	2401-3000		620	610				
Windlocked Series 2	up to 2400		up to 5500	200 / 305	185	590	580	55 - 68 (see note)
	2401-3000					590	580	
						200 / 305	620	
	220 / 325					620	610	

NOTE: All measurements are in millimeters (mm)

Windlocked Steel Substrate (dark blue) Windlocked Masonry Substrate (light blue)

- # Refer to installation manuals for restricted headroom measurements and doors with handles.
- * A1 Based on a Controll-A-Door PowerDrive, GDO-6 EasyRoller and GDO-12 Hiro.
- ** A10 Based on a GDO-10 Toro (Right Hand Side install). Refer to GDO-10 installation manual for LHS installations.
- *** Chain Drive is optional on all Series 2 & 3 doors. Measurements indicated for LHS and RHS installations. On 3300 high R2L Series 2 it is standard LHS viewed inside looking out.
- **** NOTE: Wind-Locked doors may need between 55 - 68mm curtain overlap on both sides, depending on the substrate used.

NOTE: R1N Doors over 2400mm (H) have larger bracket. Windlock option not available on all R1N doors. *R2L, above 2400mm only available in WA.



fixed taper options

Independent tapers are an option to an existing Series 1, 2 or 3 type Roll-A-Door®. For where floors have an even 'tapered' slope across the opening, a fixed taper plate can be built into the door at the time of manufacture. (not available when the door has perforation slottings or on R1N Roll-A-Door Neo® 2700mm - 3000mm high)

The direction of a taper should always be indicated as Viewed Inside Looking Out.

Minimum Taper	Maximum Taper
1mm per 150mm of door width or 20mm, whichever is greater	1mm per 10mm of door width or 250mm (S2, S3) 290mm (S1) whichever is less

Example as shown for one door with Taper:
 Minimum Taper at (Y) = 4600 (W) / 150 = 30.6mm (round to the nearest mm) 31mm is greater than 20mm, therefore minimum taper is 31mm
 Maximum Taper at (X) = 4600 (W) / 10 = 460mm 460mm is greater than 250mm, therefore the maximum taper is 250mm

tip Tapers are available with Windlock Doors.

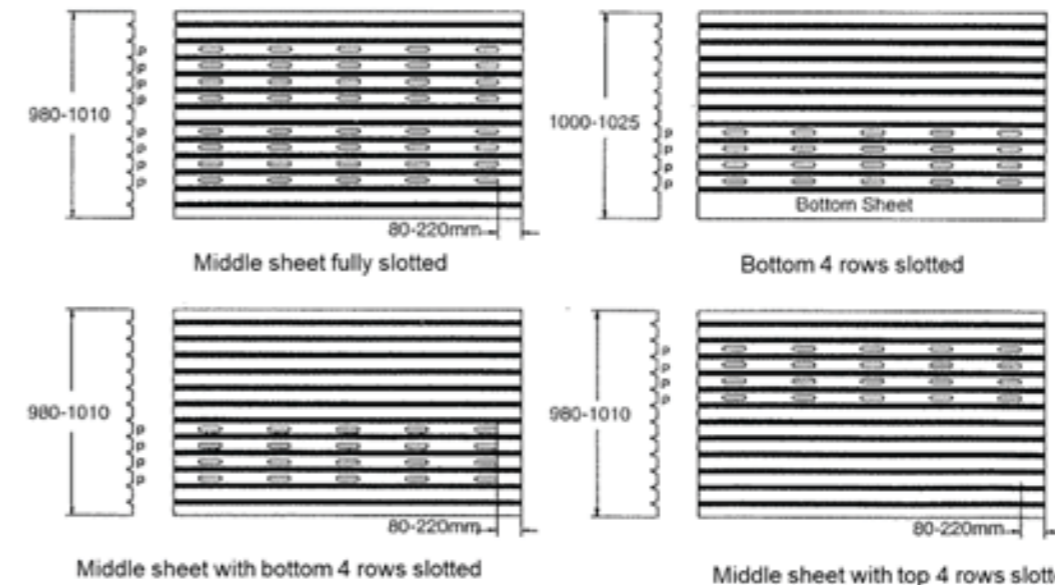
In the situation where two doors are required with matched curtains and both have tapers, the maximum taper over both doors cannot be greater than the maximum allowed for a single door the width of the entire opening.

Example as shown for two doors with Taper:
 Minimum Taper at (Y) = 2490 (W) / 150 = 16.6mm (round to the nearest mm) 17mm is less than 20mm, therefore minimum taper is 20mm
 Maximum Taper at (X) = 2490 (W) / 10 = 249mm 249mm is less than 290mm, therefore the maximum taper is 249mm

perforation slotting options

Configured per sheet, slotting is available in either partial or whole sheet. Where a waist high centre lift lock / handle is fitted (waist high = top of the bottom door sheet), only partial slotting is available to the bottom four flats.

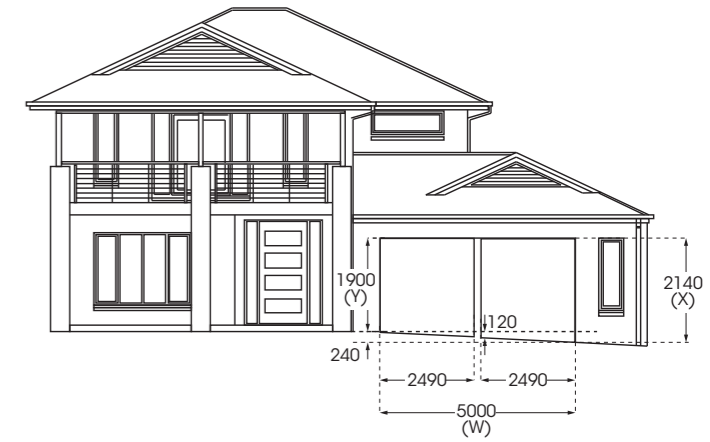
The perforations are at 300mm centres with the space between them 200mm constant. The only variable is the distance between the edge of the sheet and the first and last perforation. This varies from approximately 80mm minimum to approximately 220mm maximum.



WARNING! Perforation not available with Windlock doors.



ONE DOOR WITH TAPER
 Taper = X - Y
 2490 (X) - 2400 (Y) = 90mm taper



TWO DOORS WITH TAPER
 Taper = X - Y
 Door 1 2020 (X) - 1900 (Y) = 120mm taper
 Door 2 2140 (X) - 2020 (Y) = 120mm taper



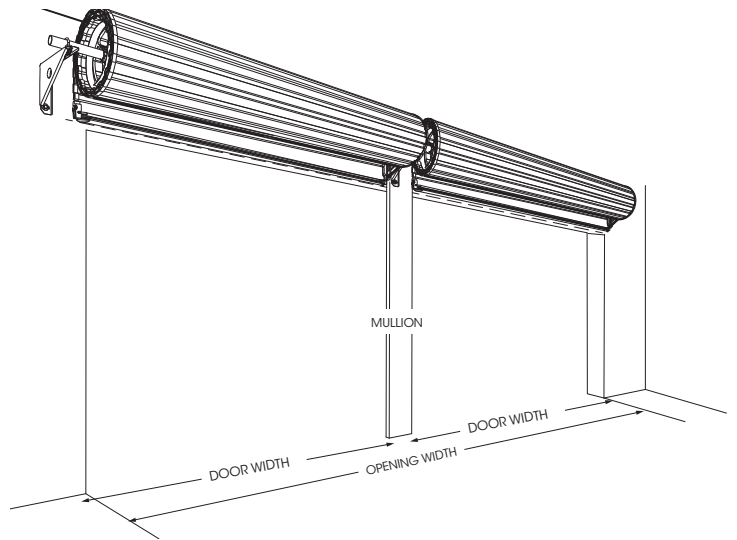
mullion options

For extra wide openings, special removable mullions are available to provide independent operation of two B&D Roll-A-Doors. They can easily be removed allowing unrestricted access to the full opening width. Mullions are ONLY available with Series 1 Doors.

! WARNING! Openers can not be installed in conjunction with mullions.

! WARNING! Windlock Door can not be installed in conjunction with mullions.

! tip Mullions not available on Residential doors over 2900mm high.



SERIES 1	SERIES 2
$\text{door width} = \frac{(\text{opening size} - 20) - ((\text{no. of mullions} - 1) \times 70)}{(\text{no. of doors})}$	$\text{door width} = \frac{(\text{opening size} - 10) - ((\text{no. of mullions} - 1) \times 110)}{(\text{no. of doors})}$

Example 1: opening size 6000mm
number of doors = 2
number of mullions = 1

$$\text{door width} = \frac{(6000 - 20) - ((1 - 1) \times 70)}{2} = 2990\text{mm}$$

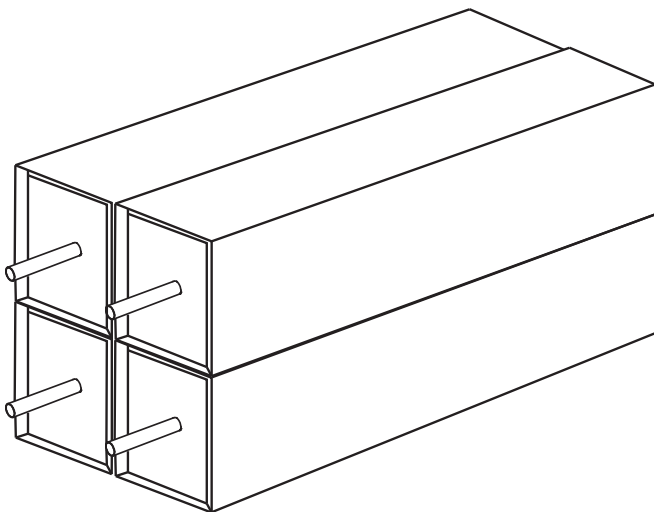
Example 1: opening size 15000mm
number of doors = 3
number of mullions = 2

$$\text{door width} = \frac{(15000 - 10) - ((2 - 1) \times 110)}{3} = 4960\text{mm}$$

crating options

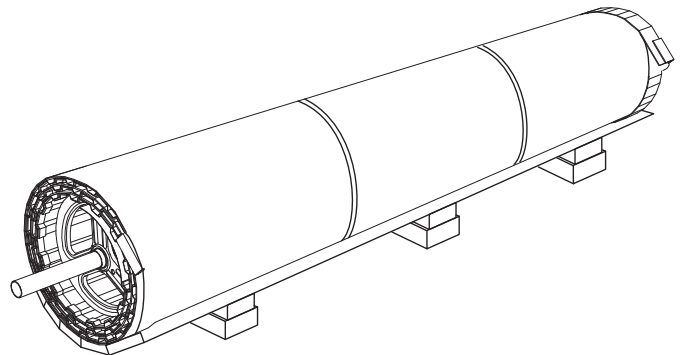
All doors are recommended to have additional crating applied particularly when third party freight is used, doors are travelling long distances and where extra protection is required.

HARD CARDBOARD BOXING



Available as an option with all Series 1 Doors

HARD CARDBOARD TUBING WITH TIMBER SKID



Available with all Series 2 & Series 3 Doors as just hard cardboard tubing or hard cardboard tubing with timber skid

Hard Cardboard Tubing available with all Series 1 Doors (except for WA)

